

The product using material and processing must conform to the "WI-PZ-001"HSF technical standard control requirements

RoHS+HF

NOTE:

- 1.MATERIAL SPECIFICATION:
 - 1-1.HOUSING: PA9T UL94V-0
 - 1-2.CONTACT: PHOSPHOR BRONZE
- 2.PLATING SPECIFICATION:

CONTACT: G/F PLATING OVERALL
- 3.MECHANICAL PERFORMANCE:
 - 3-1.INSERTION FORCE: 0.08KGF/PIN MAX
 - 3-2.REMOVAL FORCE: 0.05KGF/PIN MIN
 - 3-3.MAINTAIN FORCE: 0.03KGF/PIN MIN
 - 3-4.DURABILITY: 30 CYCLES.
- 4.ELECTRICAL PERFORMANCE:
 - 4-1.CURRENT RATING:0.5A
 - 4-2.VOLTAGE RATING:60V MAX
 - 4-3.CONTACT RESISTANCE: 60mΩ Max.
 - 4-4.INSULATION RESISTANCE: 800MΩ MIN
 - 4-5.DIELECTRIC WITHSTANDING VOLTAGE: 500V AC Min
- 5.ENVIRONMENTAL PERFORMANCE:

OPERATING TEMPERATURE: -25°C~+85°C.
- 6.PACKAGE SPEC:REEL
- 7.P/N ORDER:

SERIES NO: B0802 XX M 0-2 XX 2 X X 01

HEIGHT: 28-2.8H 43-4.3H
33-3.3H 48-4.8H
38-3.8H 53-5.3H

MALE FEMALE: M-MALE

ANGLE: 0-180°

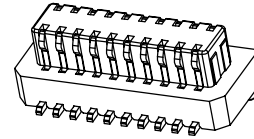
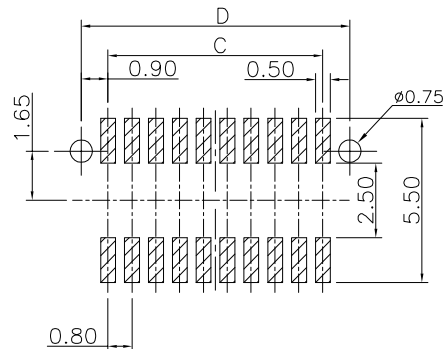
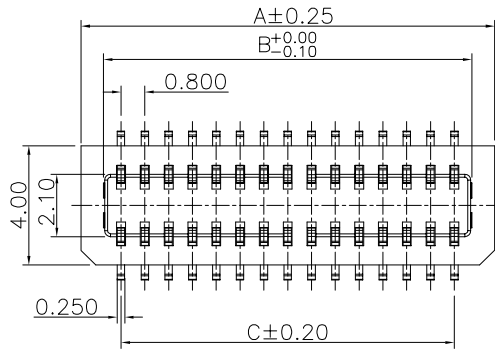
ROW NO: 2-DOUBLE ROW

COLOR: S-NATURE
A-BLACK
K-WHITE

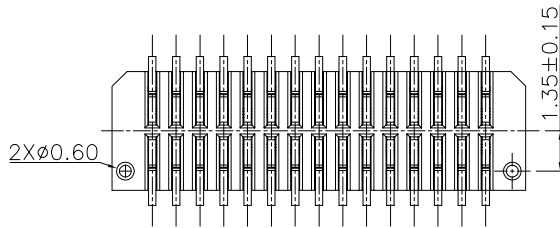
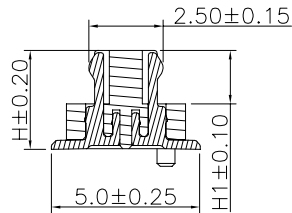
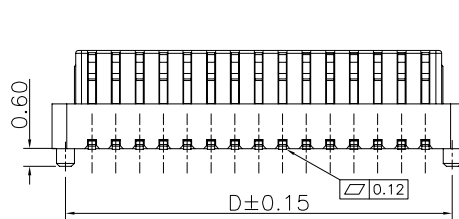
PLATING: A-ALL AU G/F
1-G/F
C-BRIGHE TIN

TERMIPOINT: 2-SMT

PIN Q'PY: 08~50



RFCOMMFENDFN P.C.BOARD LAYOUT



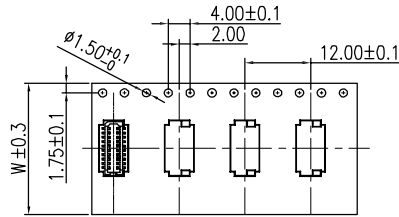
Circuits	Dimensions(mm)				
	排列	A	B	C	D
8	2*4	5.10	3.60	2.40	4.20
10	2*5	5.90	4.40	3.20	5.00
12	2*6	6.70	5.20	4.00	5.80
14	2*7	7.50	6.00	4.80	6.60
16	2*8	8.30	6.80	5.60	7.40
18	2*9	9.10	7.60	6.40	8.20
20	2*10	9.90	8.40	7.20	9.00
30	2*15	13.90	12.40	11.20	13.00
40	2*20	17.90	16.40	15.20	17.00
50	2*25	21.90	20.40	19.20	21.00

合高	H	H1
4.00H	2.80	1.80
4.50H	3.30	1.80
5.00H	3.80	1.80
5.50H	4.30	2.30
6.00H	4.80	2.30
6.50H	5.30	2.30
7.00H		

REV.	REVISION RECORD	DATE	UNIT:mm	GENERAL TOLERANCES		SCALE:	NAME	DATE	PART.NO:	DWG.NO:	 WanLian Teconology Co., Ltd
A0	NEW RELEASE	21.01.13		0.0±0.35	ANGLES	1:1	Wang_jr	21.01.13	B0802XXM0-2XX2XX01	ENDE05	
			0.00±0.25	X'REF±6°	APPROVED	Han_Gao	21.01.13	TITLE:		REV: A0	SHEET: 1/2
			0.000±0.10	X'X' ±2°	DESIGNER	Zijun_Huang	21.01.13	BOARD TO BOARD PITCH0.8 SMT/PLUG			

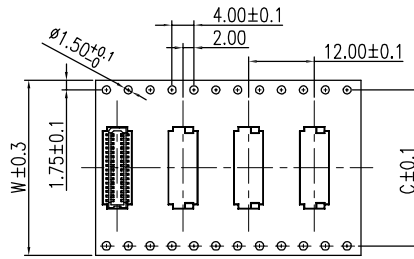
The product using material and processing must conform to the "WI-PZ-001"HSF technical standard control requirements

Tape width 16 and 24 mm



PULL OUT DIRECTION

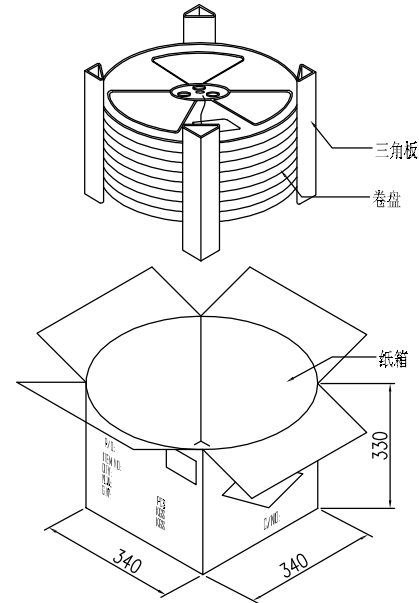
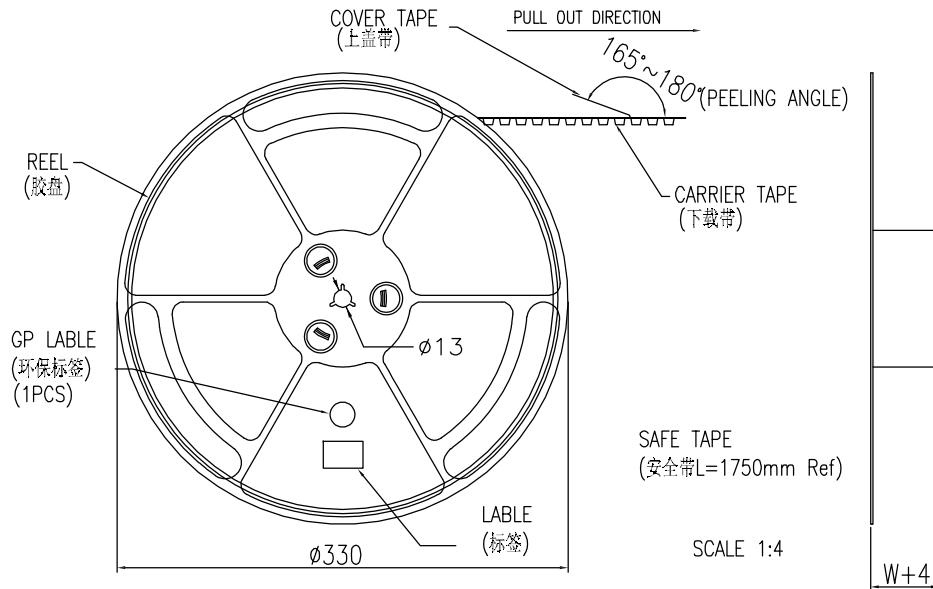
Tape width 32 and 44 mm



PULL OUT DIRECTION

NOTE:

- 1.10 Sprocket hole pitch cumulative tolerance ± 0.20 .
2. Carrier camber is within 1mm in 100mm.
3. Material: black conductive polystyrene alloy.
4. Material Thickness: 0.3 ± 0.05 mm.
5. All dimensions meet EIA-481-B requirements.
6. 5000pcs Pef Reel.
7. For tape width(dim W)16 and 24mm pilot holes are provided on one sides.
For tape width(dim W)32, 44 and 56mm pilot holes are provided on both sides.



Circuit	W	C	PCS /REEL	REEL/CARTON	SUM(PCS)
4PIN~20PIN	16	-	1000	12	12000
21PIN~40PIN	24	-	1000	10	10000
41Pin~50PIN	32	28.4	1000	8	8000
51Pin~60PIN	44	40.4	1000	6	6000

REV.	REVISION RECORD	DATE		GENERAL TOLERANCES		SCALE: 1:1	NAME	DATE	PART.NO: B0802XXM0-2XX2XX01	DWG.NO: ENDE05	 WanLian Teconology Co., Ltd	
AO	NEW RELEASE	21.01.13		LINEAR	ANGLES	APPROVED	Wang_jr	21.01.13				
			UNIT:mm	0.00±0.25	X'±3'	DESIGNER	Han_Gao	21.01.13	TITLE: BOARD TO BOARD PH0.8 PLUG			REV: A0
			SIZE: A4	0.000±0.10	X'X' ±2'	DRAWN	Zijun_Huang	21.01.13				